

DRAWN	Kevin	1/10/2013		
CHECKED			TITLE	
QA				
MFG				
APPROVED				
			SIZE	DWG NO
			C	Drawing
			SCALE	REV
				1
			SHEET 1 OF 2	

4

3

2

1

D

D

C

C

B

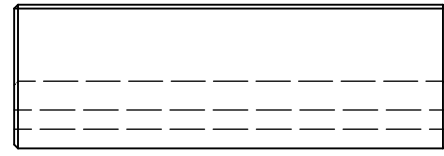
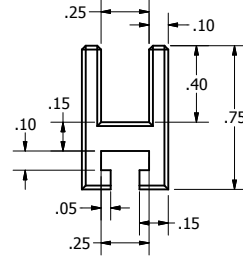
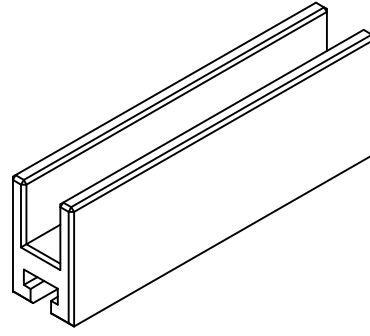
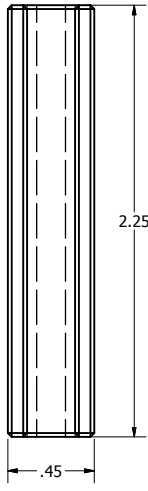
B

A

A

PRODUCED BY AN AUTODESK EDUCATIONAL PRODUCT

PRODUCED BY AN AUTODESK EDUCATIONAL PRODUCT



DRAWN Kevin	1/10/2013			
CHECKED		TITLE		
QA				
MFG				
APPROVED				
		SIZE C	DWG NO Drawing	REV
		SCALE	SHEET 2 OF 2	

4

3

2

1

A